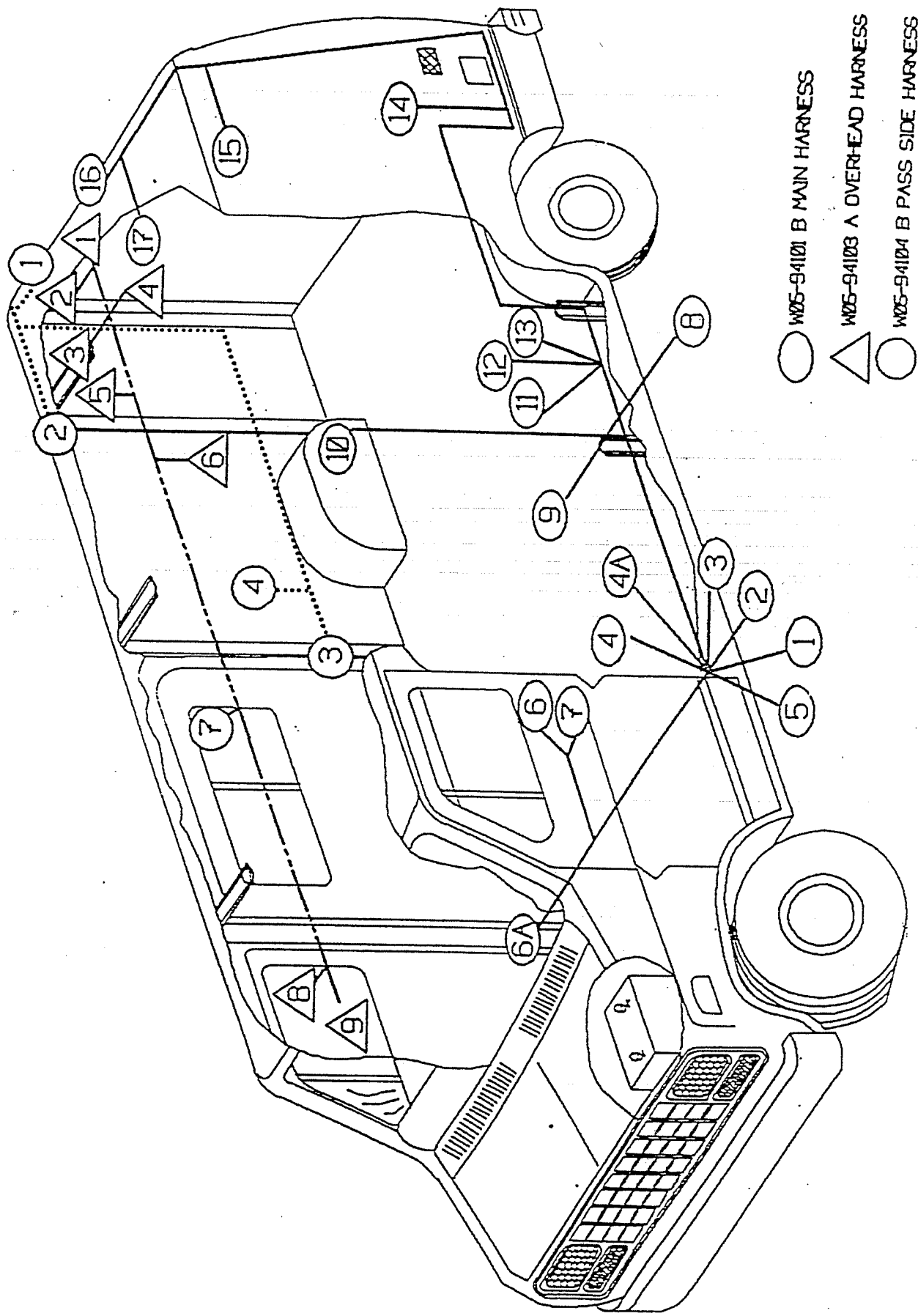


1995

**WALDOCH CRAFTS
&
PANELTRONICS**

WIRING SCHEMATICS

1-027-28



- W05-94101 B MAIN HARNESS
- △ W05-94103 A OVERHEAD HARNESS
- W05-94104 B PASS SIDE HARNESS

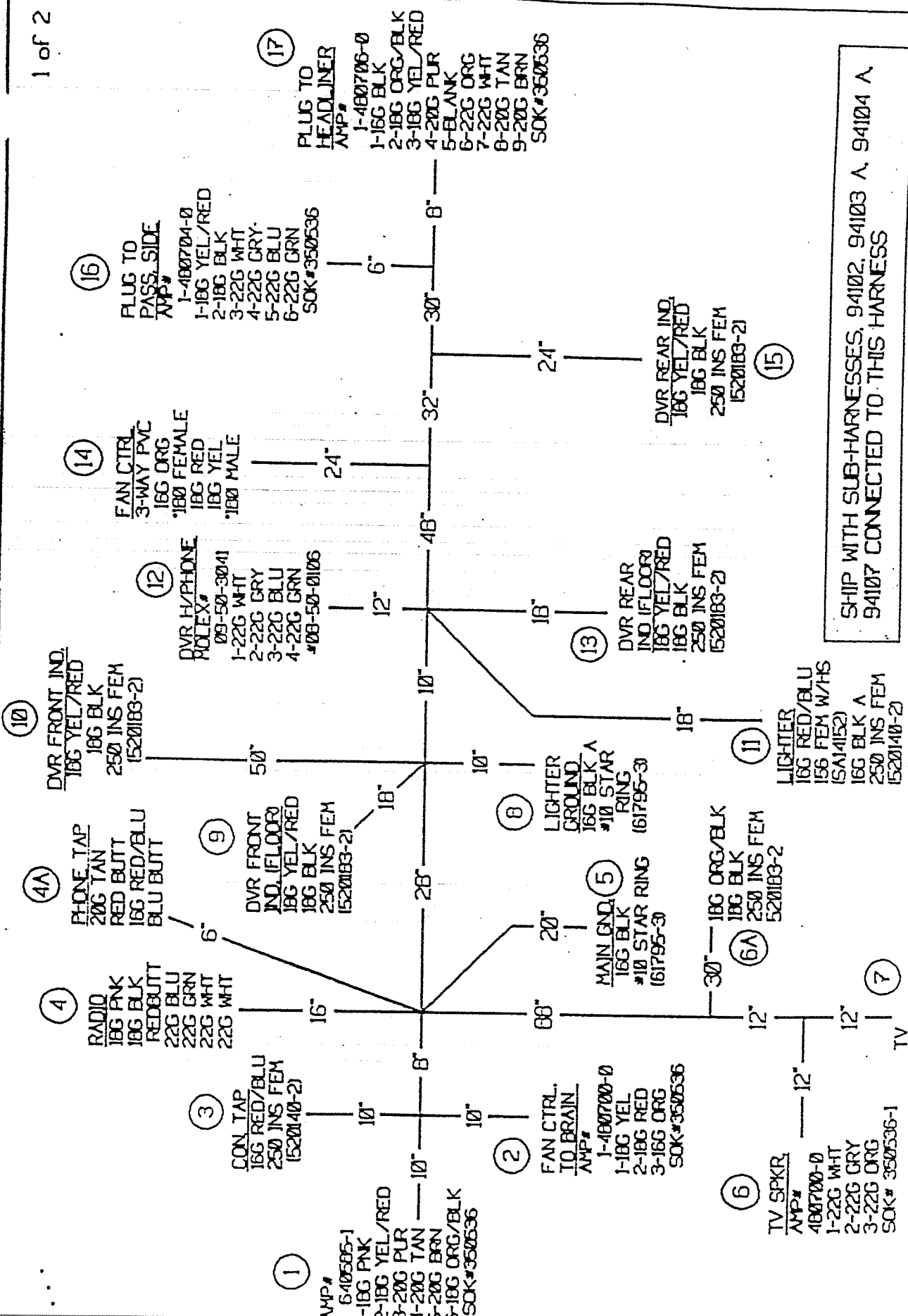
WIRE DESIGN INC. WALDOCH	DESCRIPTION W05-04101 B
-----------------------------	----------------------------

PT.	FUNCTION	WIRE COLOR	WIRE DRAW	WIRE GAUGE	TEMP.	REMARKS:
①	MAIN HRNS.	BLK. ORG/BLK		18, 18	105C	
		YEL/RED, PUR	PT	18, 20	105C	
		TAN, BRN, ORG		20, 20, 22	105C	
		WHT		22	105C	
②	REAR AIRCRAFT	ORG/BLK, PUR	12	18, 20	105C	
		BLK		20	105C	
③	INDIRECT	YEL/RED, BLK	.4	18, 18	105C	
④	INDIRECT	YEL/RED, BLK	.4	18, 18	105C	
⑤	REAR AIRCRAFT	ORG/BLK, PUR	12	18, 20	105C	
		BLK		20	105C	
⑥	TV SPKR	ORG, WHT		22, 22	105C	
⑦	CTR AIRCRAFT	ORG/BLK, BRN	12	18, 20	105C	
		BLK		20	105C	
⑧	FRONT AIRCRAFT	ORG/BLK, TAN	12	18, 20	105C	
		BLK		20	105C	
⑨	RADAR	TAN, BLK	5	20, 20	105C	
⑩	FROM MAIN HARNESS	YEL/RED, BLK	PT	18, 18	105C	
		WHT, GRY, BLU		22, 22, 22	105C	
		GRN		22		
⑪	PASS REAR IND	YEL/RED, BLK	3	18, 18	105C	
⑫	PASS HEAD PHONE	WHT, GRY, BLU		22, 22, 22	105C	
		GRN		22		
⑬	PASS IND FLOOR	YEL/RED, BLU	3	18, 18	105C	

W05-94103A OVERHEAD HARNESS

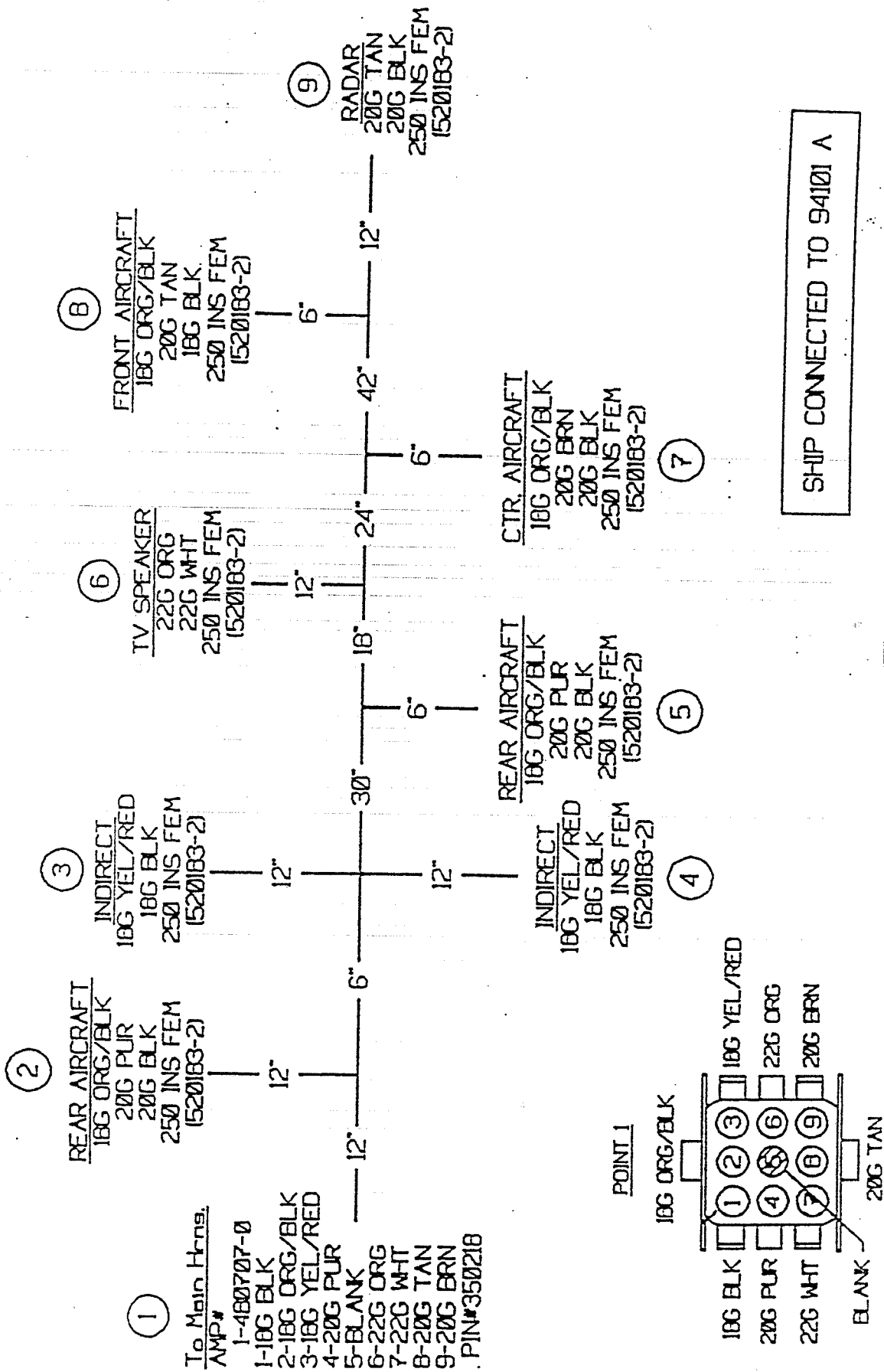
W05-94104B PASS SIDE HARNESS

WIRE DESIGN, INC. DESCRIPTION PASS SIDE HARNESS



SHIP WITH SUB-HARNESSES, 94102, 94103 A, 94104 A
94107 CONNECTED TO THIS HARNESS

L	WIRE DESIGN, INC.
D	WALDOCH
T	W05-94101 B
SP	DRG. DATE: 10-14-95 REV. DATE: 12/3/93
H	DESCRIPTION: MAIN HARNESS



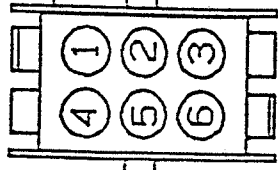
1 To Main Hrgs.
 AMP# 1-480707-0
 1-18G BLK
 2-18G ORG/BLK
 3-18G YEL/RED
 4-20G PUR
 5-BLANK
 6-22G ORG
 7-22G WHT
 8-20G TAN
 9-20G BRN
 PIN#350218

L	B	T	SP	H
WIRE DESIGN, INC.				
WALDOCH		W05-94103 A		
ORD. DATE: 10-14-63	REV. DATE: 10-26-63	DESCRIPTION: OVERHEAD HARNESS	MODEL: CREVY / DORRE	
ECN# 3206	DRAWN BY: H COLLING	DEL. CG.		

SHIP CONNECTED TO 94101 A

AMP#1-480707-0
 PIN#350218

POINT 1



22G GRY
22G BLU
22G GRN

18G YEL/RED
18G BLK
22G WHT

(2)

PASS. REAR IND.
18G YEL/RED
18G BLK
250 INS FEM
(520183-2)

AMP #1-480705-0
PIN#350218

(1)

AMP #
1-480705-0
1-18G YEL/RED
2-18G BLK
3-22G WHT
4-22G GRY
5-22G BLU
6-22G GRN
PIN#350218

36"

80"

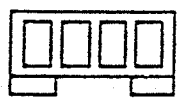
16"

20"

(4)

IND. PASS. FLOOR
18G YEL/RED
18 BLK
250 INS FEM
(520183-2)

POINT 3



1-22G WHT
2-22G GRY
3-22G BLU
4-22G GRN

MOLEX #09-50-3041
TML #08-50-0106

PASS. SIDE HEAD PHONE

MOLEX #
09-50-3041
1-22G WHT
2-22G GRY
3-22G BLU
4-22G GRN
TML #08-50-0106

(3)

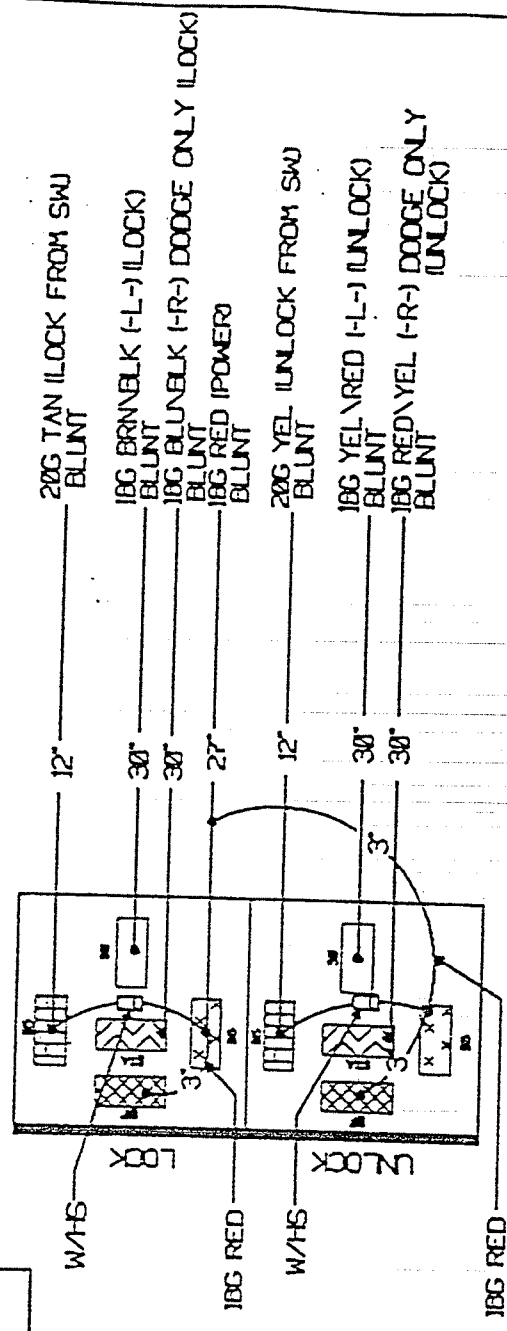
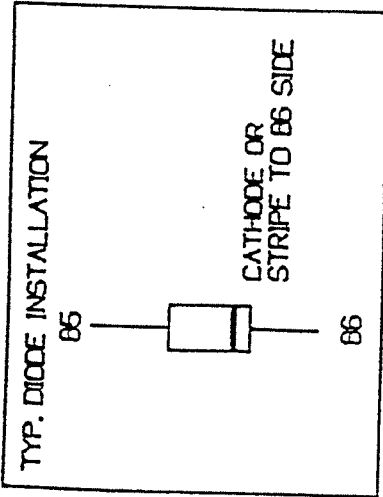
SHIP CONNECTED TO 94101-A

L	X
D	X
T	X
SP	X
M	

WIRE DESIGN, INC.

WALDOCH W05-94104 B

DRW. DATE: 10-14-03	REV. DATE: 12-02-03	DESCRIPTION: PASS. SIDE HARNESS	MOFFET
DRAWN BY: J. DILLMAN			CHK



BOSCH CONNECTOR #3-334-485-008
 BOSCH RELAY #0-332-204-151
 or #0-332-209-151
 USE 250 FEM ON RELAY BLOCK (M2281-2)

L					
D					
T					
SP					
M					

WIRE DESIGN, INC.

WALDOCH

W25-941083

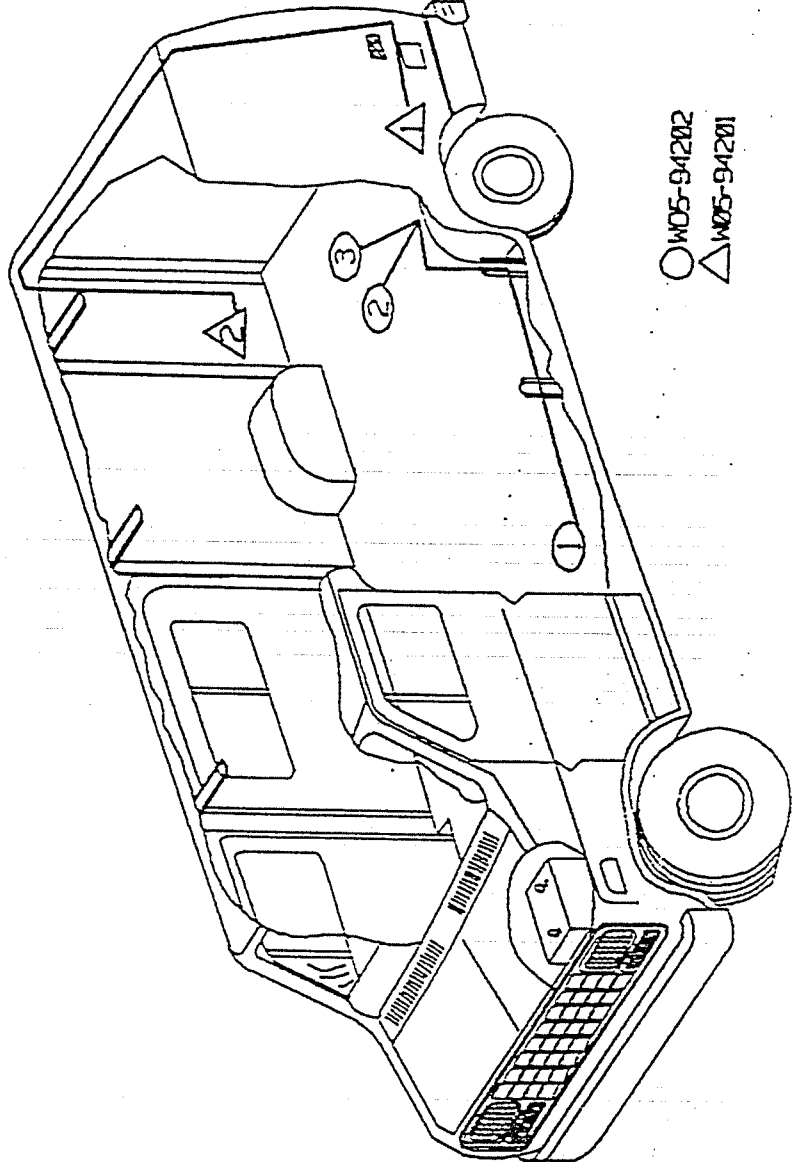
ORG. DATE: 11-19-88 REV. DATE: 04-24-94

ECN# 3392 DRAWN BY: J. RITCHIE DDL CK

DESCRIPTION: DOOR LOCK RELAY HNS

MODEL:

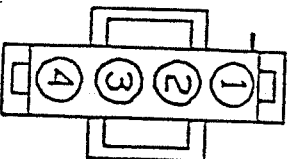
PT.	FUNCTION	WIRE COLOR	WIRE DRAW	WIRE GAUGE	TEMP.	REMARKS:
①	SOFA POWER FROM BRAIN	RED/BLK RED/ORG	9.5 A	14, 14	105 C	SLIDE
①	SOFA POWER FROM BRAIN	WHT/BLU WHT/RED	9.5 A	14, 14	105 C	RECLINE
△	FAN SPEED EXT	ORG, RED, YELL	PT	16, 18, 18	105 C	
△	FAN SPEED I	ORG, RED, YELL	9, 6, 5	16, 18, 18	105 C	



WIRE DESIGN, INC.
WALDOCH

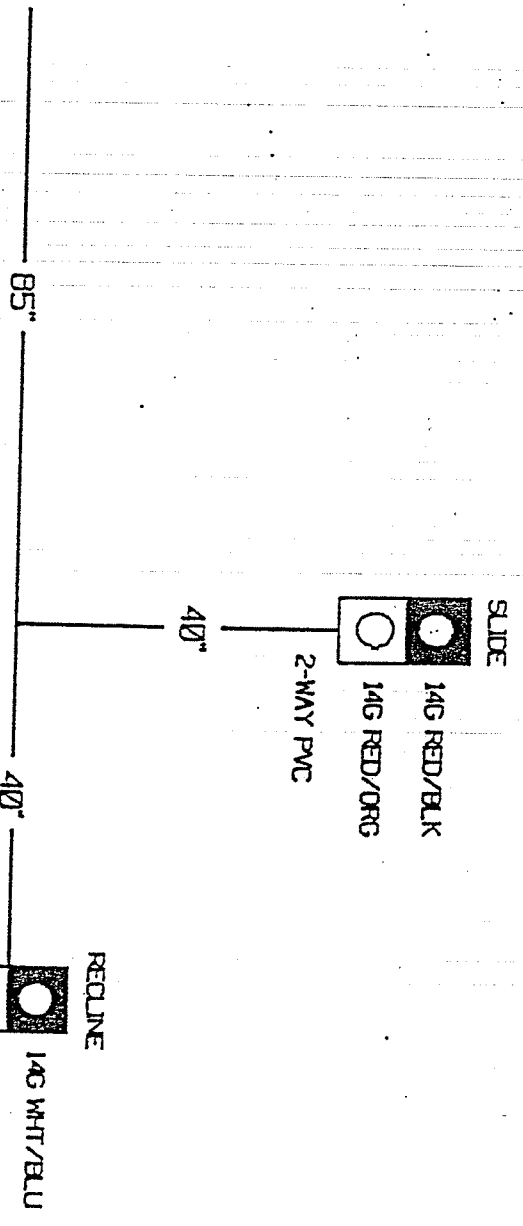
DESCRIPTION
WD5-94201

AMP #
 1-480702-0
 1-14G RED/BLK
 2-14G RED/ORG
 3-14G WHT/BLU
 4-14G WHT/RED
 SOK #350536



1 14G RED/BLK
 2 14G RED/ORG
 3 14G WHT/BLU
 4 14G WHT/RED

AMP #1-480702-0
 SOK #350536



L					
B					
T					
SP					
M					
WIRE DESIGN, INC.					
WALDOCH					
REQ. DATE: 10-26-93 REV. DATE: 12-02-93					
ECN# 3384 DRAWN BY: J. DILLMAN DEL. OK					
WDS-94202 A					
DESCRIPTION: SOFA HARNESS					
MODEL: DREW / DATE					

