

AMP Research POWERSTEPS™ feature the best in design and quality components for today's active consumers. POWERSTEPS™ require routine scheduled maintenance for proper function. Please review this guide with all new owners for correct care for their new purchase or offer them a service package.

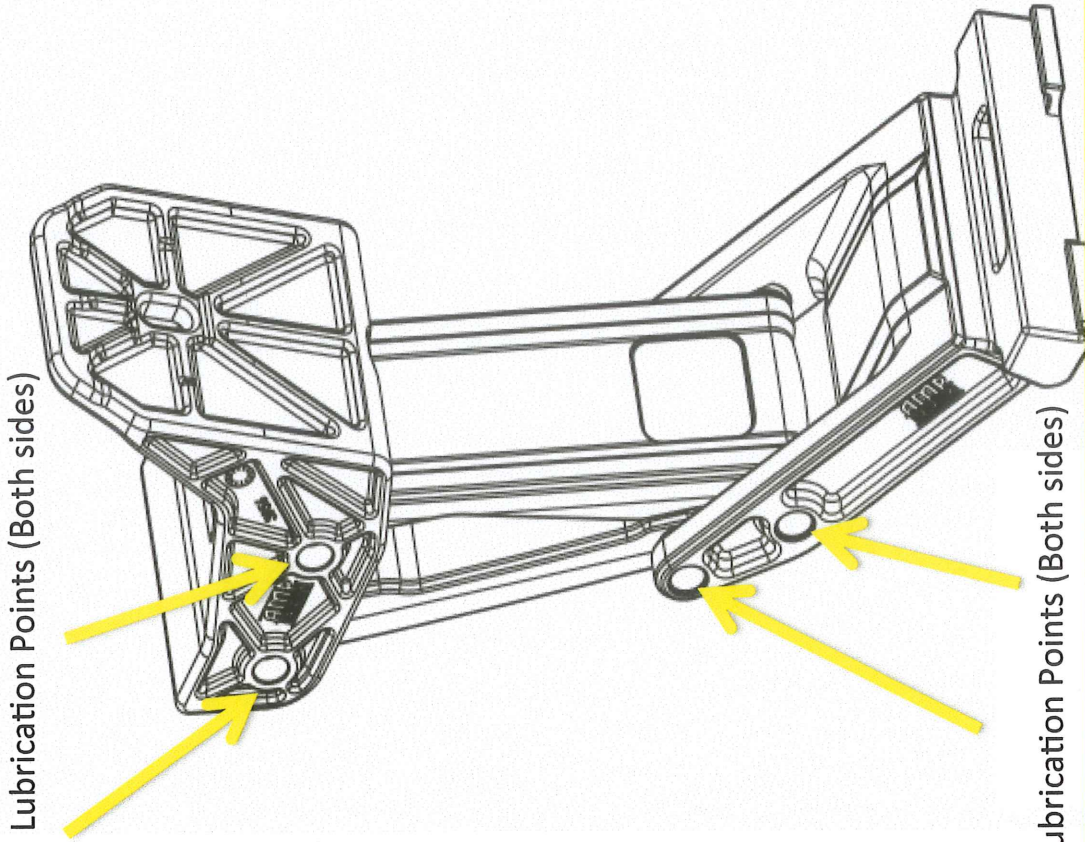
Maintenance Review

- Inspect board function every 30 days.
- If pivot points squeak when boards are deploying or retracting cleaning and lubrication are required.
- AMP Recommends pivot point cleaning & lubrication every 60 to 90 days in conditions where dirt, mud, snow, salt and sand are part of the normal driving conditions.
- First step...Manually set boards to the deployed position to inspect all pivot points.
- Wash and flush pivot points with high pressure water and car soap or general all-purpose cleaner to remove road grime.
- "Do Not" spray motors directly with pressure water.
- If vehicle is driven in extreme conditions, it is recommended to clean the gear linkage assembly and lubricate prior to re-assembly. The need for this service can be determined during inspections.



AMP Research® Customer Service / Technical Support – 888-983-2204 Mon – Fri 6 AM – 5 PM PAC

POWERSTEPS™ linkage arm



Maintenance Procedures

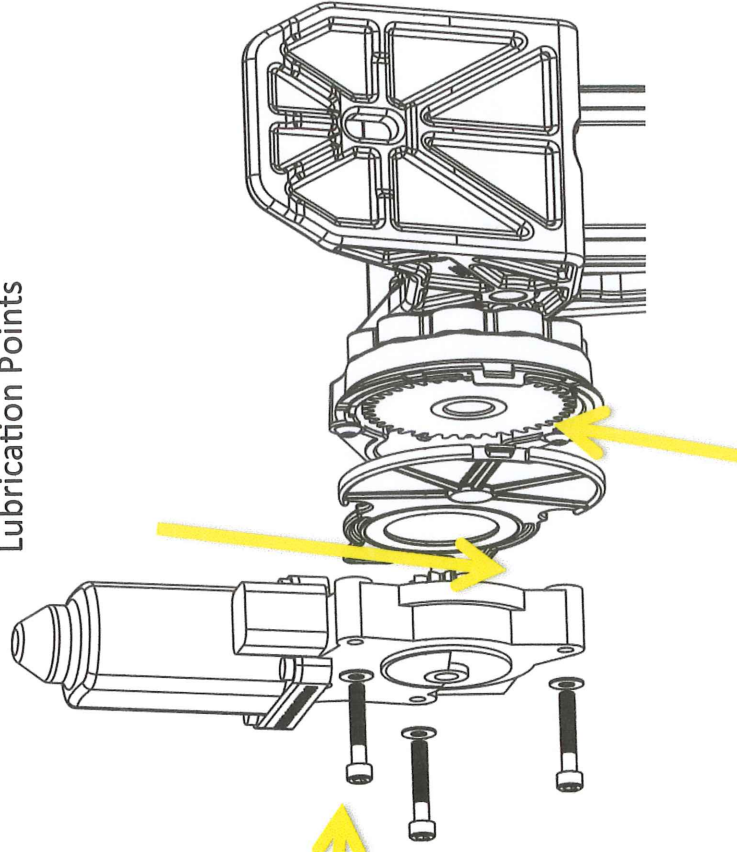
- Clean POWERSTEPS™ linkage arms and pivot points with water and general purpose cleaner. If linkage brackets are impacted with mud, dirt and other road grime it may be necessary to power wash with water.
- Rinse soap or cleaner from linkage arms and dry linkage assembly and pivot points.
- Use either a Moly or Silicone based lubricant with sealer solvent to penetrate into the moving areas. A top choice for "Silicone Free" Lubricant is Lube-It All®, a Moly Based Deep Lubricating oil. This product works very well in all climates including cold, ice and snow conditions.
- Apply lubricant to each of the pivot point pins on both sides of each linkage. Once lubricant has been applied allow to penetrate for several minutes and wipe clean any residue from the linkage arms. (avoid spraying lubricant on the Step)
- Check operation and document date serviced.
- This is a 20 to 30 minute Service Procedure.

POWERSTEPS™ Motor and Gear linkage assembly

Maintenance Procedures

- Cleaning and lubrication of the POWERSTEPS™ Motor Gear and Gear Case is required when vehicle is operated in extreme conditions such as heavy snow & salt regions as well as mud and dirt. May be required every 6 mos.
- Deploy boards and disconnect power and keep boards in lowered position.
- Use water, soap or general purpose cleaner to remove dirt from the exterior of the motor and gear linkage assembly prior to dis-assembly. "Do Not" Power wash the motor assembly. Dry motor / gear case / linkage assembly after cleaning.
- Remove the three bolts from the motor to gear case assembly.
- Remove motor & gear case cover.
- Use general purpose cleaner to flush out the gear assembly and dry after cleaning.
- Apply either a Moly based (Lube-It All) or Silicone free lubricant to the motor gear as well as described for lubricating linkage arm pivot points. Once lubricant has been applied allow to penetrate for several minutes and wipe clean any residue from the linkage arms. (avoid spraying lubricant on the step)
- Reassemble the motor and gear case assembly. Take extra care to ensure the gear case cover is properly seated on the housing.
- Check board operation and document date serviced.
- This is a 45 minute Service Procedure. (includes servicing both sides of the vehicle)

Lubrication Points



Lubrication Points

