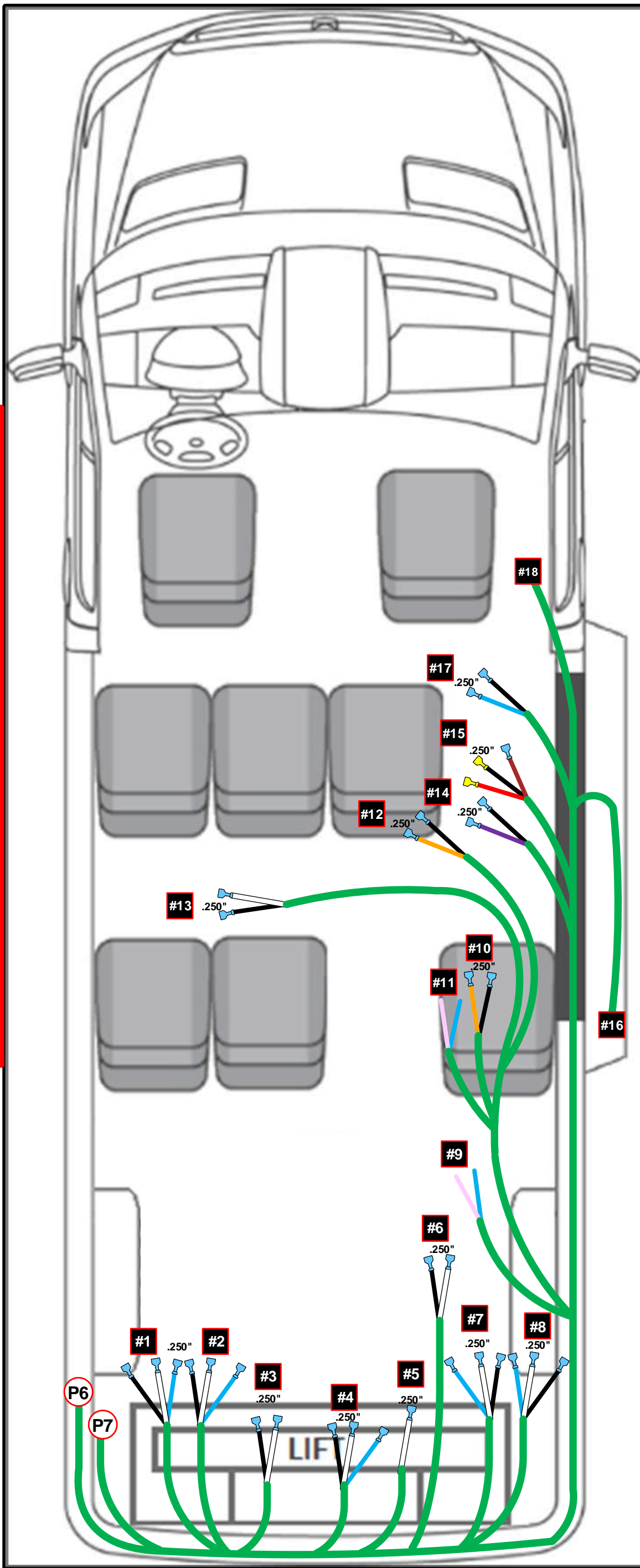


# 00-3404 PASSENGER SIDE HARNESS



**APPROXIMATE HARNESS CONNECTION LOCATIONS**

**# = LEAD #**

**SEE SECOND PAGE FOR CONNECTOR PINOUTS**

**“P6” CONNECTOR**

- 16GA. PURPLE “PWR-POINT”
- 16GA. BLUE “PR-LT-PWR5”
- 16GA. WHITE “CTSY-LT”
- 16GA. BLUE “BLUE-LTS-1”
- 16GA. WHITE “OEM-DOME”
- 16GA. ORANGE “AUX-PWR-6”
- 10GA. RED “SOFA-5”
- 10GA. RED “SOFA-6”
- 10GA. BLACK “SOFA-GND-3”
- 10GA. BLACK “SOFA-GND-4”
- 16GA. BROWN “BACK-LT-6”
- 16GA. RED “USB-PWR-5”

INTERFACES WITH  
00-3404  
PASSENGER SIDE HARNESS

**“P7” CONNECTOR**

- 14GA. BLACK “GND-4”
- 14GA. BLACK “GND-5”
- 14GA. BLACK “GND-6”
- 16GA. RED “SHADE-PWR5”

INTERFACES WITH  
00-3404  
PASSENGER SIDE HARNESS

**LEAD #1**

- 16GA. BLACK “UPPER-GND1”
- 16GA. BLUE “UPPER-STO1”
- 16GA. WHITE “UPPER-STO1”

**LEAD #2**

- 16GA. BLACK “VAL-GND1”
- 16GA. BLUE “VALANCE-1”
- 16GA. WHITE “VALANCE-1”

**LEAD #3**

- 16GA. BLACK “DOME-GND-1”
- 16GA. WHITE “DOME-LT-1”

**LEAD #4**

- 16GA. BLACK “C-CAP-GND”
- 16GA. BLUE “CNTR-CAP”
- 16GA. WHITE “CNTR-CAP”

**LEAD #5**

- 16GA. WHITE “OEM-DOME”

**LEAD #6**

- 16GA. BLACK “DOME-GND-2”
- 16GA. WHITE “DOME-LT-2”

**LEAD #7**

- 16GA. BLACK “VAL-GND-2”
- 16GA. BLUE “VALANCE-2”
- 16GA. WHITE “VALANCE-2”

**LEAD #8**

- 16GA. BLACK “UPPER-GND2”
- 16GA. BLUE “UPPER-STO2”
- 16GA. WHITE “UPPER-STO2”

**#18 PASSENGER SIDE MID PANEL WIRES**

- WIRE BUNDLE #1**
- 16GA. ORANGE “PS-MID-LT1”
  - 16GA. BLACK “PER-LT-GD7”
  - 16GA. BLUE “PR-LT-PWR7”
  - 16GA. BLACK “PS-MID-GD1”
  - 16GA. ORANGE “PS-MID-LT2”

- WIRE BUNDLE #2**
- 16GA. BLACK “AUX-8-GND”
  - 16GA. ORANGE “AUX-PWR-8”
  - 16GA. BLACK “USB-GND-7”
  - 16GA. RED “USB-PWR-7”

- WIRE BUNDLE #3 (SHADE SW)**
- 16GA. RED “SHADE-PWR7”
  - 16GA. BLUE “SHD-5-DWN”
  - 16GA. BLUE “SHD-5A-DWN”
  - 16GA. PINK “SHD-5-UP”
  - 16GA. PINK “SHD-5A-UP”
  - 16GA. BLACK “SHADE-GND7”
  - 16GA. BLACK “SHD-GND7A”
  - 16GA. BLACK “SHD-GND7B”
  - 16GA. BROWN “BACK-LT-8”
  - 16GA. BROWN “BACK-LT-8A”

- LEAD #17**
- 16GA. BLUE “CUP-LTS”
  - 16GA. BLACK “CUP-LT-GND”

**#16 PASSENGER SIDE REAR PANEL WIRES**

- WIRE BUNDLE #1**
- 16GA. BLUE “PR-LT-PWR6”
  - 16GA. BLACK “PER-GND-6”
  - 16GA. ORANGE “PS-RR-LT1”
  - 16GA. ORANGE “PS-RR-LT2”
  - 16GA. BLACK “PS-RR-GND”

- WIRE BUNDLE #2**
- 16GA. BLACK “AUX-7-GND”
  - 16GA. ORANGE “AUX-PWR-7”
  - 16GA. BLACK “USB-GND-6”
  - 16GA. RED “USB-PWR-6”

- WIRE BUNDLE #3 (SHADE SW)**
- 16GA. RED “SHADE-PWR6”
  - 16GA. BLUE “SHD-4-DWN”
  - 16GA. BLUE “SHD-4A-DWN”
  - 16GA. PINK “SHD-4-UP”
  - 16GA. PINK “SHD-4A-UP”
  - 16GA. BLACK “SHADE-GND6”
  - 16GA. BLACK “SHD-GND6A”
  - 16GA. BLACK “SHD-GND6B”
  - 16GA. BROWN “BACK-LT-7”
  - 16GA. BROWN “BACK-LT-7A”

- LEAD #15**
- 16GA. BROWN “BACK-LT-9”
  - 10GA. RED “SOFA”
  - 10GA. BLACK “SOFA-GND”

- LEAD #14**
- 16GA. PURPLE “PWR-POINT”
  - 16GA. BLACK “PWR-PT-GND”

- LEAD #13**
- 16GA. WHITE “CTSY-LT2”
  - 16GA. BLACK “GND-CTY-LT”

- LEAD #12**
- 16GA. ORANGE “PS-MID-LT”
  - 16GA. BLACK “PS-MID-GD2”

- LEAD #11**
- 16GA. BLUE “SHD-5-DWN”
  - 16GA. PINK “SHD-5-UP”

- LEAD #10**
- 16GA. ORANGE “PS-RR-LT”
  - 16GA. BLACK “RR-PER-GD1”

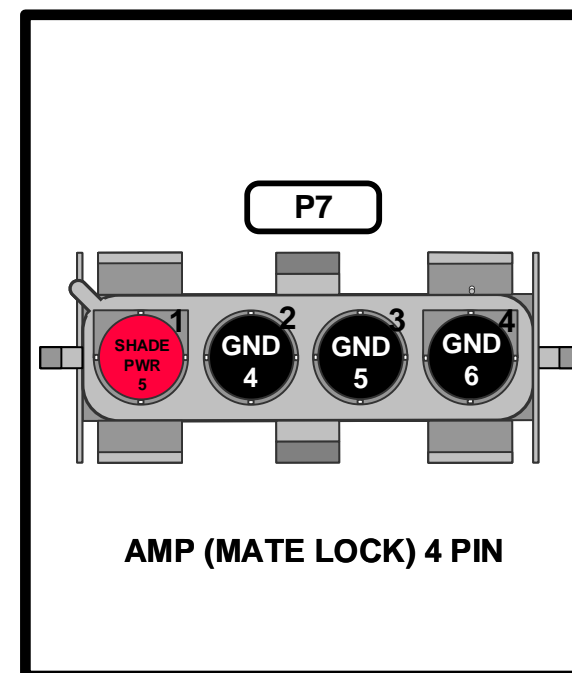
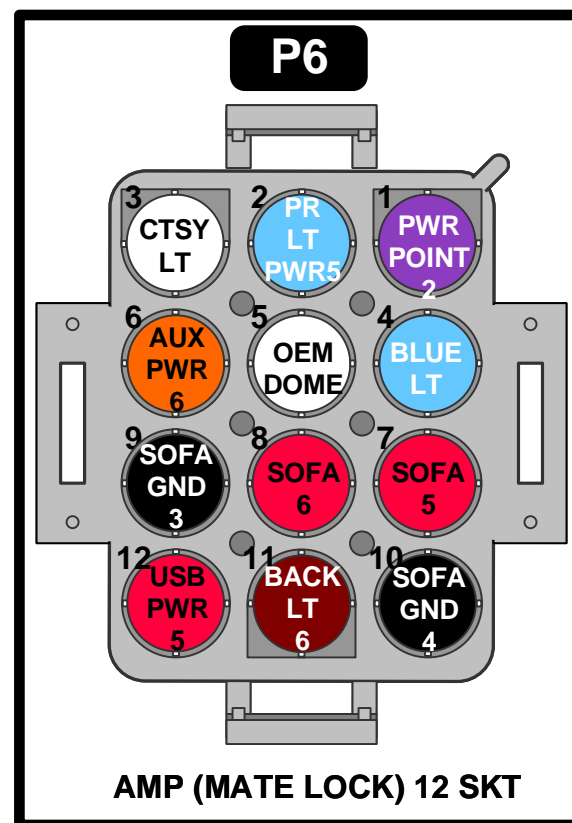
- LEAD #9**
- 16GA. BLUE “SHD-4-DWN”
  - 16GA. PINK “SHD-4-UP”



NOTES: All Dimensions are in Inches

MNSTAR Technologies Inc. claims all proprietary rights to this drawing and the information it contains. This material is confidential, disclosure, reproduction and manufacturing is strictly prohibited without the express written permission of MNSTAR Technologies Inc. All rights of design or invention are reserved.

Material:	TITLE	DESCRIPTION
	FILENAME	SCALE DRAWN BY



NOTES: All Dimensions are in Inches

MNSTAR Technologies Inc. claims all proprietary rights to this drawing and the information it contains. This material is confidential, disclosure, reproduction and manufacturing is strictly prohibited without the express written permission of MNSTAR Technologies Inc. All rights of design or invention are reserved.

Material:

TITLE	DESCRIPTION
FILENAME	SCALE
	DRAWN BY